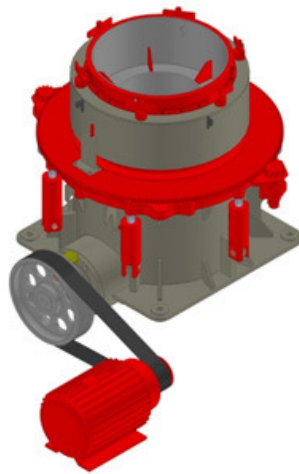




# *CRUSHING, FEEDER & SCREENING EQUIPMENT*



BRINGING NEW DIMENSIONS  
TO THE CRUSHING INDUSTRY

# WHO WE ARE

---

*BuildMate is a strong technology oriented, high-tech engineering project and execution company providing technology and supply of machinery and equipment for Building Material projects. We are among the top manufacturers in the world for AAC Plants and have considerable experience in creating other building material plants and machinery.*

*BuildMate's commitment to being a partner for your building material projects from concept to commissioning is so strong that is part of our name and identity. For over 30 years we have provided a complete range of project services needed to conceptualize, plan, design, engineer and set up building material projects to meet the specific requirements of its clients to generate considerable value.*

*Our vast experience of operating and setting up various building material manufacturing facilities ranging from stone crushers and concrete block plants to cement and lime plants, helps us make better machinery that is not just better design wise but is ideal for productive plant operations. We now bring our considerable expertise to the world of stone crushing equipment and concrete batching plants with innovative solutions to unresolved industry problems.*

# WHAT WE CAN DO

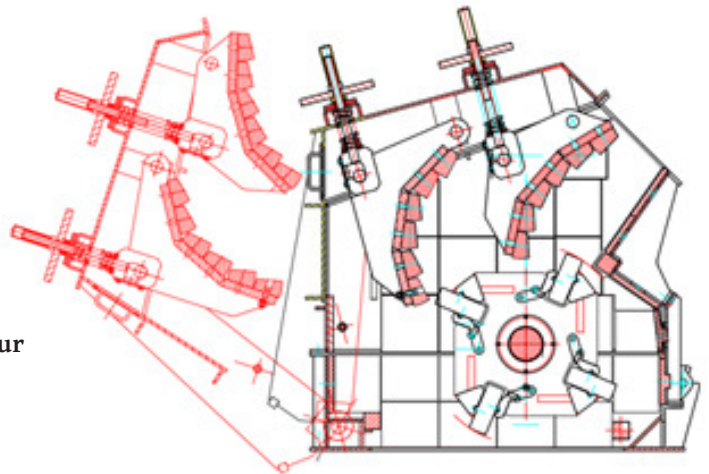
---

INDUSTRY PROBLEMS	SOLUTIONS FROM BUILDMATE
Unorganised operations. No accounts for loss and pilferage	System driven operations. Exact reports on inventory.
No controls on dust generation and remedies for environmental pollution.	Reducing dust generation by up to 90% by reducing and extracting the dust produced.
Large layout area with many conveyors resulting in higher power consumption and dust generation.	Reduction of conveyors by half resulting in lower power consumption and reduction of dust generation
Manual lubrication resulting in maintenance problems.	Robust construction and easy to maintain machinery with auto lubrication.
No relation of plant capacity to actual performance.	Compact layout with "Performance guaranteed" pricing.

## Range of Products

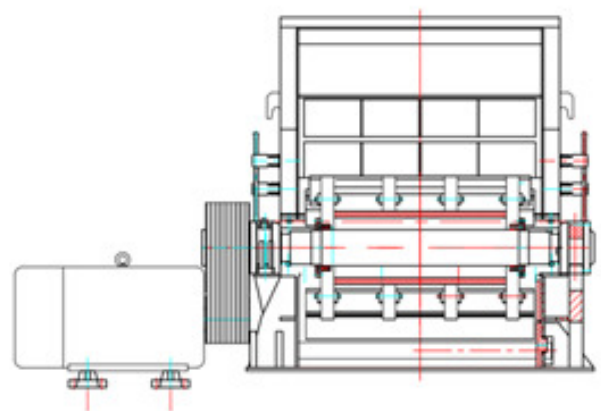
Buildmate can now to provide the following for your crushing needs:

- 150 TPH / 2, 3 and 4 Stage plant
- 200 TPH / 2, 3 and 4 Stage plant
- 300 TPH / 2, 3 and 4 Stage plant
- Jaw Crushers
- Cone Crushers
- Sand makers
- Vertical Shaft Impact Crusher
- Horizontal Shaft Impact Crusher
- Grizzly feeders
- Vibrating screens and Conveyors
- Sand plants with classifiers in both dry and wet



## The BuildMate Edge

- Robust construction
- Excellent performance
- High production capacity.
- High reduction ratio
- Large feed size
- Solution oriented innovative plant layouts
- Minimal maintenance
- Easy operation
- Continuous operation
- Superior support and service
- Completely automated plants



# JAW CRUSHER

---

*BuildMate jaw crushers are single toggle type and have been designed after studying the day to day problems of crusher owners. They are made for more production, tough & large feed conditions, easy operation, minimum maintenance, and longer life while producing output at lowest cost per ton.*

*These improve upon existing designs to give the most efficient crushing and optimized performance. The incredibly high output and high reductions are possible because of its deep crushing chamber design with optimized nip angle for smooth material flow. High level of engineering combined with top grade components are the ingredients for reliable and longer life of our machinery.*



## Salient features

- Wide and long intake openings to allow larger feed
- Deep crushing chamber for higher output
- Optimized nip angle for smooth flow and greater reduction
- Welded and robust construction for high strength and durability for impact loads
- Heavy cast flywheels for smoother operation even under momentary overloads
- Reversible jaws for maximum utilization

## Options

- Auto setting adjustments for ease of operation
- Electrical hoist for safe maintenance
- Centralized lubrication (auto-lubrication) system

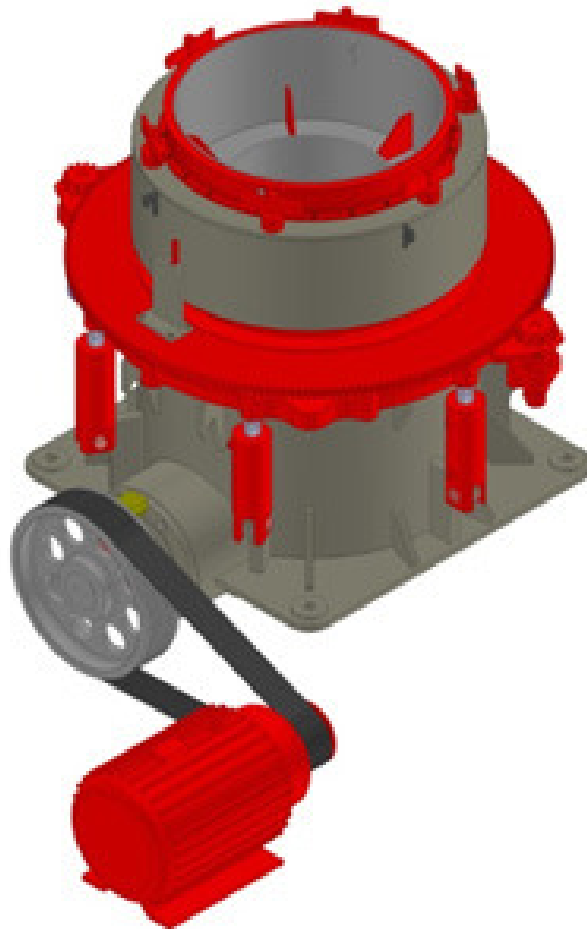
Technical Data & Capacities				
Model				
Specification		BM-SJC 3624	BM-SJC 5032	BM-SJC 5040
Feed Opening	mm	900 x 600	1250 x 800	1250 x 1000
	inch.	36 x 24	50 x 32	50 x 40
Max. Feed Size (mm)		500	650	800
Drive Motor Cap. in kW (HP)		75 (100)	132 (175)	160 (220)
Speed (rpm)		245	225	200
Closed Side Setting (CSS)		Capacities in Metric ton per hour (MtpH)		
mm	inch.			
50	2	75-90		
75	3	100-130	125-175	
100	4	120-150	180-250	240-330
125	5	140-180	220-275	275-375
150	6	170-220	250-320	345-410
175	7		300-375	385-450
200	8		350-400	445-525
225	9			495-580
250	10			545-650

# CONE CRUSHERS

---

*BuildMate offers GP & HP series cone crushers for secondary and tertiary crushing applications. The robust design along with high quality BuildMate components and optimized wear parts make it possible to maintain high crushing performance to keep production up and operating costs down.*

*BuildMate cone crushers feature a unique combination of cavity design, speed and throw which provides higher capacity and superior product quality in wide range of applications. These cone crushers combine extremely high performance with low production cost per ton.*



## Salient features

- Increased head diameter for high production & larger feed acceptance
- Hydraulic system for easy and safety setting adjustments
- Auto lubrication for greater reliability
- Low power consumption

## Options

- Auto setting adjustments
- Automatic tramp release

Technical Data & Capacities					
Model					
Specification		BM-SCC 900	BM-SCC 1100	BM-SCC 1300	
Feed Opening	mm	180	220	230	
	inch.	7	8.5	9	
Max. Feed Size (mm)		150	180	190	
Drive Motor Cap. in kW (HP)		90 (120)	160 (220)	225 (300)	
Closed Side Setting (CSS)		28-36	28-40	30-45	
Capacities in Metric ton per hour (Mtph)		80-180	160-290	220-380	

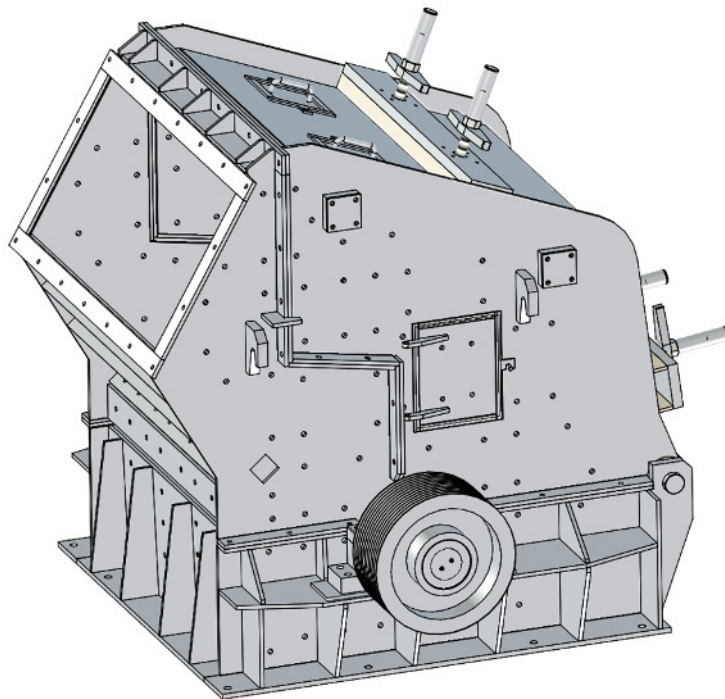
Technical Data & Capacities					
Model					
Specification		BM-TCC 900	BM-TCC 1100	BM-TCC 1300	
Feed Opening	mm	200	230	250	
	inch.	8	9	10	
Max. Feed Size (mm)		160	190	200	
Drive Motor Cap. in kW (HP)		90 (120)	160 (220)	225 (300)	
Closed Side Setting (CSS)		24-38	25-45	25-45	
Capacities in Metric ton per hour (Mtph)		90-210	180-320	250-410	

# HORIZONTAL SHAFT IMPACT CRUSHERS

---

*BuildMate's horizontal impact crushers are for operating conditions where there are demands for high production. Our HSIs are for secondary and tertiary crushing applications. They have a combination of heavy rotor design, wear material and crushing chamber design. This improves capacity, product quality and in reducing operating and wear costs.*

*Impact crushers have been designed with a bigger crushing chamber, optimized liners and specific rotors for more production and low maintenance resulting in low cost per ton.*





## Salient features

- High reduction ratio
- Good cubical shape
- Less sensitive to sticky material than other machines
- Extremely versatile machine - suitable for quarrying and gravel pit industries, cement industry, concrete and asphalt recycling, and slag recycling.

## Options

- Various sizes for different type of stone
- Electrical hoist for safe maintenance
- Auto lubrication

Technical Data & Capacities			
Model			
Specification	BM-HSI 1210	BM-HSI 1214	BM-HSI 1316
Max. Feed Size (mm)	200	250	400
Capacities in Metric ton per hour (MtpH)	75-150	150-250	250-350
Drive Motor Cap. in (kW)	110	132	225
Rotor Speed (rpm)	550	550	485
Rotor Diameter X Width (mm)	1200 X 1000	1200 X 1400	1300 X 1600

# VERTICAL SHAFT IMPACTORS (VSI)

BuildMate VSI crushers are designed for tertiary applications and these will produce quality aggregates for concrete products, road construction, etc. The VSIs can handle everything from hard and abrasive rocks to soft rocks. The crushing principle in VSIs is rock-on-rock action i.e. rock fed into the machine to crush itself. This rock-on-rock/ autogenous crushing offer the lowest cost per ton. Rotating rotor in VSIs gives high velocity to the rock to generate high crushing forces which improve the shape and soundness of the material and produce high quality cubical shape products.

BuildMate VSIs are provided with cascading option where some material can be diverted into the crushing chamber, bypassing the rotor which facilitates the control on product grading and optimizing quality.

## Salient features

- Rock-on-Rock principle to produces quality products with superior cubical shape
- Ability to control product grading by tip speed and cascading option
- Lowest wear cost per ton due to Rock-on-Rock crushing
- Quick and easy replacement of wear parts to reduce downtime for productive.

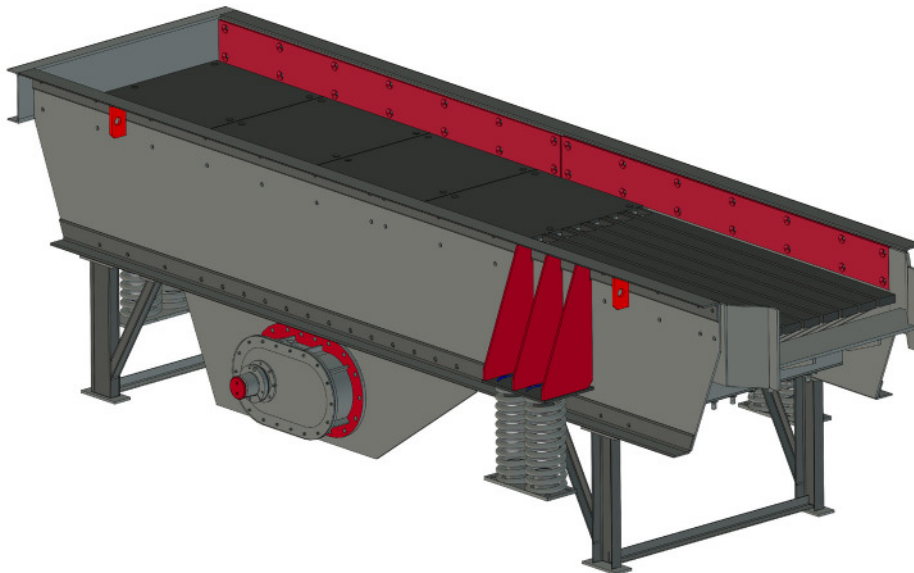


Technical Data & Capacities			
Model			
Specification	BM-VSI 700	BM-VSI 850	BM-VSI 1000
Max. Feed Size (mm)	30	40	40
Capacities in Metric ton per hour (MtpH)	100-150	200-250	300-350
Drive Motor Cap. in (kW)	75-150	150-220	330-450
Rotor Speed (rpm)	1200-1400	1200-1400	1200-1400
Rotor Diameter (mm)	700	850	1000

# VIBRO FEEDERS

*BuildMate vibro feeders are designed to give regulated, controlled and continuous feed for secondary cone crushers & impact crushers and for the tertiary sand makers resulting in choke feed conditions for better performance which in turn reduces the wear cost. These vibro feeders are provided with unbalanced electrical vibro motors for effective vibratory motion.*

Model	Dimensions width x length (mm)	Capacity (MtpH)	Drive Motor Cap. in (kW)
BM-VFM820	800 x 2000	150-250	2x 1.5
BM-VGF1217	900 x 1500	300-350	2x 1.67
BM-VGF1220	1200 x 2000	450-500	2x 2.30

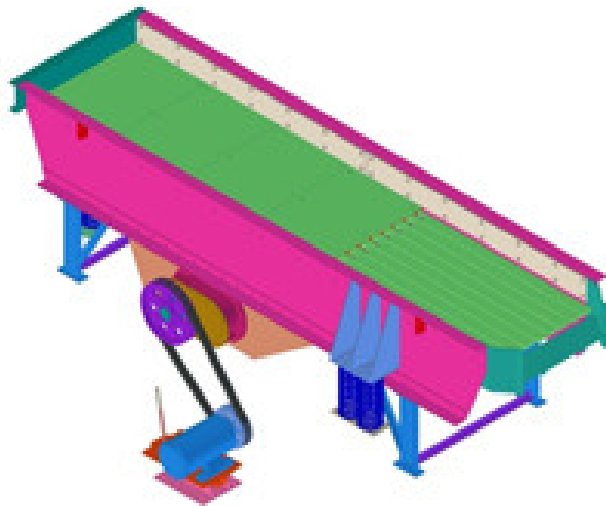


# VIBRATING GRIZZLY FEEDERS

BuildMate's vibrating grizzly feeders are designed for the toughest applications, high capacity and able to process abrasive material in wide range of primary feeding applications. These grizzly feeders maintenance is easy to carry out, allowing you to maximize uptime and productivity. The heavy-duty double shaft mechanisms with gears are in an oil-bath for extended service intervals and for a long life.

## Salient features

- Double shaft mechanism in an oil bath offers extended service intervals
- Easily dismantled mechanism ensures easy servicing
- Robust design enables to accept the material impacts from dump trucks
- Two/Three step models ensures maximum efficiency to remove quarry fines/clay.



Model	Dimensions width x length (mm)	Step	Drive Motor Cap. in (kW)
BM-VGF1040	1000 x 4000	Single	10
BM-VGF1245	1200 x 4500	Single/ Double	15
BM-VGF1555	1500 x 5500	Double/ Triple	22

# VIBRATING SCREENS

BuildMate's circular motion screens are designed for heavy-duty, medium and fine screening applications. This flexible inclined screen is ideal for use screening after primary, secondary and tertiary crushing.

## Salient features

- Rugged construction
- Circular motion keeps material moving and prevents plugging
- Combines high throughput without blinding
- High material velocity for added efficiency



Model	Dimensions width x length (mm)	Screening Area (Sq.m)	No.of Decks	Drive Motor Cap. in (kW)
BM-VSM1540	1500 x 4000	6.0	1	11
			2	11
			3	15
			4	15
BM-VSM1850	1800 x 5000	9.0	1	11
			2	15
			3	18.5
			4	22
BM-VSM1860	1800 x 6000	10.8	1	15
			2	15
			3	22
			4	22
BM-VSM2160	2100 x 6000	12.6	1	15
			2	22
			3	22
			4	22
BM-VSM2463	2400 x 6300	15.12	1	15
			2	22
			3	30
			4	30

*We setup the following plants from concept to commissioning.*

- Autoclaved Aerated Concrete (AAC) plants
- Concrete batching plants with planetary, twin-shaft, pan mixers.
- Crushing plants with jaw crusher, cone crusher, VSI/sand maker etc
- Concrete block plants
- Dry ready mix mortar plants
- Pre-cast concrete plants
- Pre Engineered Buildings, cranes etc

*We excel at any  
**Special projects**  
and plants in construction  
or building materials.*

Buildmate Projects Private Limited  
Sy no. 60,61, 62. Gundlapochampally Village  
Hyderabad, Telangana, India - 500014

Ph no: +91 7676989911/61  
Email: [marketing@buildmate.in](mailto:marketing@buildmate.in)  
Visit our website at [www.buildmate.in](http://www.buildmate.in)

